

APPLICATION

Safety relief valve SVM-N is used downstream of pressure regulator to relief limited volumes of gas, and to avoid triggering safety shut-off valves.

It's ideal for low pressure settings due to high sensitivity provided by large diaphragm area.

DESIGN FEATURES

Safety relief valve SVM-N automatically opens and relief limited volume of gas, and automatically closes when pressure normalizes in the system it secures.

Safety valve acts directly according to the developed force, as a result of gas pressure on the diaphragm the set force of the spring is resisted. With the adequate increase of pressure, the diaphragm is lowered and with this the plate and therefore the exiting conduit is opened.

TESTING & CALIBRATION

EN ISO/IEC 17025 certified laboratory

APPLIED STANDARDS, CODES & DIRECTIVES

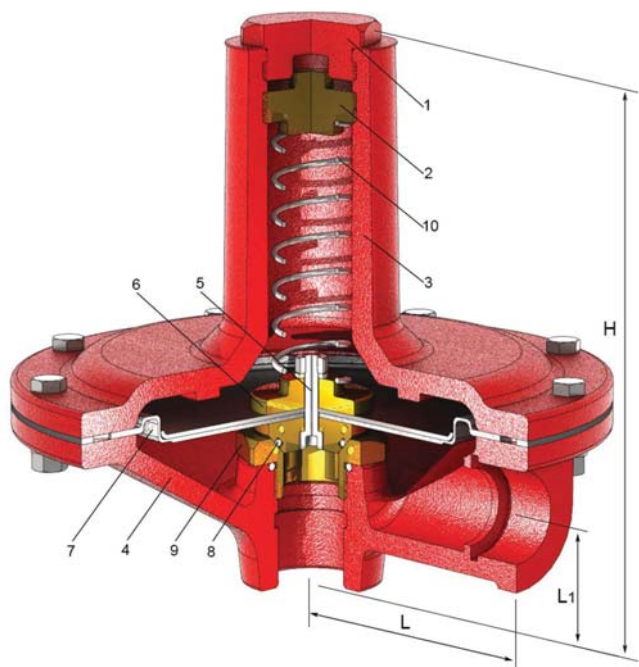
EN ISO 4126-1 "Safety devices for protection against excessive pressure. Safety valves"

EN 12516-3 "Valves-Shell design strenght. Experimental method"

EN 13463-1 "Non-electrical equipment for use in potentially explosive atmospheres. Basic method and requirements"

EN 13463-5 "Non-electrical equipment for use in potentially explosive atmospheres. Protection by constructional safety 'c'"

94/9 EC (ATEX) "Equipment and protective systems intended for use in potentially explosive atmospheres"



DN	1/2" - 1"
PN	6
p	20 - 500mbar
t	-20°C / +60°C
acceptable gases	natural gas, LPG, air, nitrogen, non-aggressive gasses
connections	ISO 7-1, ANSI B1 20.1

Pos.	Part name	Material	Standard
1	Bonnet	ENAW6005	EN573
2	Adjusting screw	CW614N	EN12164
3	Spring	SH	EN10270-1
4	Lower housing	ENAW6005	EN573
5	Screw	8.8	DIN912
6	Plate	CW614N	EN12164
7	Reinforced diaphragm	NBR	
8	"O" ring	FKM	
9	Seat	CW614N	EN12164
10	Uper housing	ENAW6005	

CODE	DN	L (mm)	L1 (mm)	H (mm)	D (mm)	WEIGHT (kg)
030001	1/2"	93	28	150	195	2.3
030002	3/4"	93	28	150	195	2.3
030003	1"	93	29	156	195	2.5

Discharge capacity at 10% overpressure in standard conditions (101325Pa, 15°C)

set pressure (mbar)	20	50	100	200	400	500
capacity (m ³ /h)	23	25	28	45	51	65