



APPLICATION

Designed for installation in distribution and storage lines for preventing uncontrolled leakage into the environment, caused by pipeline damage.

DESIGN FEATURE

Excess flow valve permit the flow of liquid or vapor in either direction. This flow is controlled only in one direction.

When, out of any reason the pressure suddenly drops (because of breakage and alike) in the pipeline downstream from the installed PLV, leakage significantly increase in the clearance between the plate and valve center, the force on the valve plate becomes greater than the spring force and the valve is closed. This prevents further uncontrolled leakage of medium into the environment. In this way, besides preventing damaging and very dangerous leakage, a fast and undisturbed repair or replacement of the damaged pipeline is enabled.

When the repairs are finalized and all parts of the pipeline are impermeably connected, the gas slowly flows through the small hole in the plate. When the pressures are almost equalized in front of and behind PLV, in a certain moment when the spring is activated, the tray automatically opens. In this way the continued flow of media is established again.

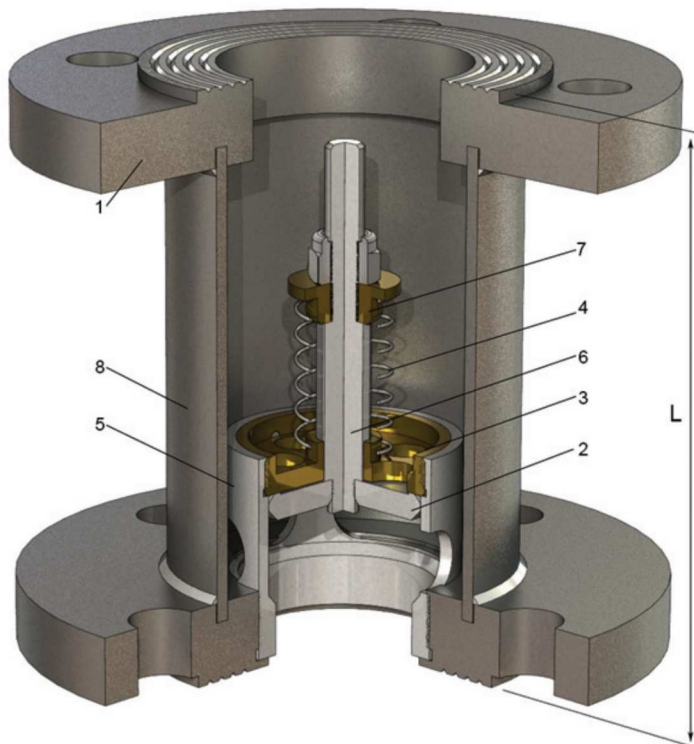
ON REQUEST:

- connections specified by customer
- every part can be produce to meet customer specification requirements
- special modification for aggressive media

APPLIED STANDARDS, CODES & DIRECTIVES

EN 12266-1 "Industrial valves. Testing of metallic valves. Pressure tests, test procedures and acceptance criteria. Mandatory requirements"

94/9 EC (ATEX) "Equipment and protective systems intended for use in potentially explosive atmospheres"



Pos.	Part name	Material	Standard
1	Connecting flange	A105, P250GH	
2	Plate	1.4301	EN10088-3
3	Plate guide	CW614N	EN12164
4	Spring	1.4301	EN10270-3
5	Seat	1.4301	EN10088-3
6	Spindle	1.4301	EN10088-3
7	Nut	CW614N	EN12164
8	Pipe	P235GH	EN10273

DN	1" - 6"
PN	40
ANSI	300lb
pmax	25 bar
t	-20°C / +90°C
acceptable media	LPG, oil, petrol, water
connections	ANSI B 16.5, EN1092, DIN2635

Excess flow valve type PLV



CODE	DN	L (mm)	WEIGHT(kg)
060001	25 (1")	100	3.2
060002	32 (1 1/4")	130	4.5
060003	40 (1 1/2")	140	6.0
060004	50 (2")	150	7.5
060005	65 (2.5")	170	10.5
060006	80 (3")	180	12.5
060007	100 (4")	200	17
060008	125 (5")	220	23
060010	150 (6")	290	35

Closing capacity, for propane

DN	Δp (bar)	gaseous form Q (m ³ /h)							liquid form Q (m ³ /h)
		pressure (bar)							
		1	2	3.5	5	10	16	25	
25 (1")	0.08	109	132	162	188	250	324	397	5
	0.12	132	162	197	226	309	382	485	6
	0.16	150	185	226	265	353	441	544	7
	0.20	168	206	256	294	397	500	618	8
	0.24	185	226	279	324	441	544	676	9
32 (1 1/4")	0.08	148	180	220	256	340	440	540	7
	0.12	180	220	268	308	420	520	660	9
	0.16	204	252	308	360	480	600	740	10
	0.20	228	280	348	400	540	680	840	11
	0.24	252	308	380	440	600	740	920	12
40 (1 1/2")	0.08	247	300	367	427	567	733	900	12
	0.12	300	367	447	513	700	867	1100	14
	0.16	340	420	513	600	800	1000	1233	16
	0.20	380	467	580	667	900	1133	1400	18
	0.24	420	513	633	733	1000	1233	1533	20
50 (2")	0.08	453	553	667	767	1067	1333	1667	22
	0.12	370	450	550	640	850	1100	1350	18
	0.16	450	550	670	770	1050	1300	1650	22
	0.20	510	630	770	900	1200	1500	1850	25
	0.24	570	700	870	1000	1350	1700	2100	28
65 (2.5")	0.08	680	830	1000	1150	1600	2000	2500	34
	0.12	600	750	900	1050	1450	1750	2200	28
	0.16	750	910	1100	1300	1800	2180	2700	35
	0.20	860	1050	1300	1500	2070	2500	3100	40
	0.24	960	1150	1350	1650	2300	2800	3450	46
80 (3")	0.08	1050	1300	1600	1820	2530	3050	3800	49
	0.12	1150	1400	1700	1970	2750	3350	4250	54
	0.16	980	1200	1470	1600	2300	2850	3500	46
	0.20	1180	1450	1800	2070	2800	3500	4300	57
	0.24	1380	1700	2050	2400	3250	4030	4980	65
100 (4")	0.08	1550	1900	2300	2680	3600	4500	5600	68
	0.12	1700	2050	2530	2930	3950	4950	6100	80
	0.16	1800	2250	2700	3150	4300	5350	6600	85
	0.20	1730	2130	2600	3000	4700	5100	6200	83
	0.24	2150	2600	3200	3680	5000	6200	7700	101
150 (6")	0.08	2450	3000	3700	4250	5750	7100	8800	115
	0.12	2750	3350	4100	4750	6450	8000	9900	130
	0.16	3000	3650	4500	5200	7050	8800	10100	143
	0.20	3250	4000	4850	5600	7600	9500	11700	150
	0.24	1730	2130	2600	3000	4700	5100	6200	83