



APPLICATION

This type of valve are mostly used in oil and petrol industry and in piping systems for cutting off a flow stream. Simple and hard design makes it ideal for a outdoor implementation in places where there is a difficulty in frequent maintenance.

DESIGN FEATURES

This valve can be delivered in two type of actuator action:

A- spring closes

The standard implementation where the pneumatic valve acts like an automatic quick-closing valve. Opening is done through solenoid valve (2/3) which leads the instrumental air (gas) into the area under the piston of the actuator. The fast closing is done by the spring.

B – spring opens

The BVK-P valve act as an automatic quick-closing body. The fast closing is done by the spring . Closing is done through an solenoid valve (2/3) which leads the instrumental air (gas) into the area above the piston of the actuator.

Solenoid connection is 1/4".

ON REQUEST:

- installment of open-close magnetic position sensors

APPLIED STANDARDS, CODES & DIRECTIVES

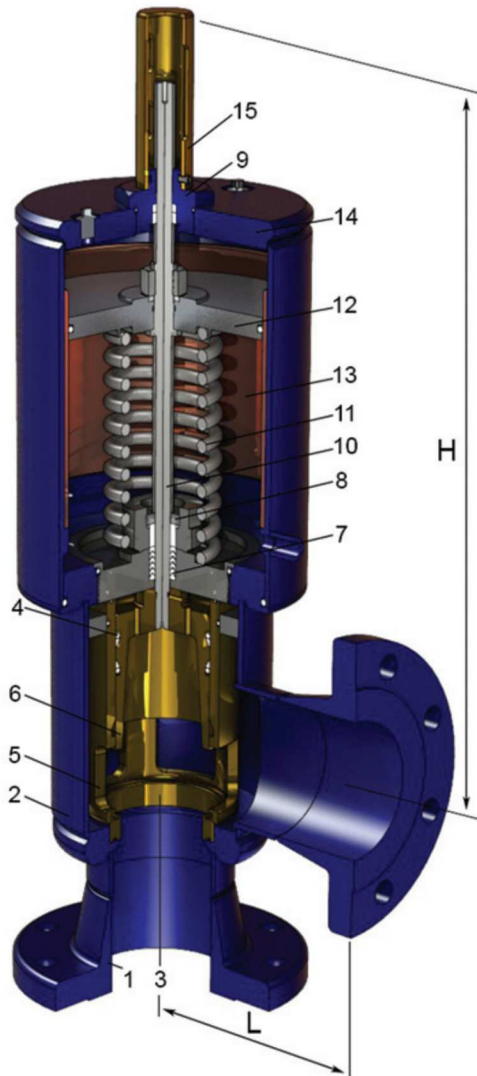
API 6D "Specification for Pipeline Valves"

API 598 "Valve Inspection and Testing"

ISO 14313 "Petroleum and natural gas industries -Pipeline transportation systems -Pipeline valves"

EN 12266-1 "Industrial valves. Testing of metallic valves. Pressure tests, test procedures and acceptance criteria. Mandatory requirements"

94/9 EC (ATEX) "Equipment and protective systems intended for use in potentially explosive atmospheres"



Pos.	Part name	Material	Standard
1	Connection flange	P250GH	EN1092
2	Body	P265GH	EN10273
3	Seat	CC333G	EN1982
4	"O"-ring	FKM	
5	Cylinder	CC333G	EN1982
7	Piston plate	CC333G	EN1982
8	Seal	PTFE	
9	Seal plate	P265GH	EN10273
9	Guide bolt	S355	EN10277-2
10	Spindle	1.4301	EN10088-3
11	Spring	1.4301	EN10270-3
12	Piston	ENAW6005	EN573
13	Actuator cylinder	S355	EN10277-2
14	Lid	S355	EN10277-2
15	Bonnet	CW614N	EN12164

DN	2" - 10"
class	150, 300lb
pmax	50 bar
t	-20°C / +90°C
acceptable media	oil, petrol, non-agresive fluids and gases
connections	ANSI B 16.5, EN1092, DIN2633-2635

CODE	DN	actuator pressure (bar)	L (mm)	H (mm)	D (mm)	WEIGHT(kg)
060601	50 (2")	1 - 2	143	517	202 (200)	45
060602	100 (4")	1 - 2	197	553	202 (200)	70
060603	150 (6")	1 - 2	254	746	306 (350)	125
060604	200 (8")	1 - 2	306	779	306 (350)	147
060605	250 (10")	1 - 2	381	739	306 (350)	165