

APPLICATION

"Safety relief valve SVN is primary designed for installation on propane, butane and LPG storage vessels, although it can be equally efficient installed on all other gas installations"

High discharge flow makes this valve ideal for a quick overpressure relief caused by temperature increase

DESIGN FEATURES

"Safety relief valve SVN is vertically straight exhaust type of valve, with thread end connection for exhaust pipeline. It automatically opens and relief limited volume of gas, and automatically closes when pressure normalizes in the system it secures."

"Safety valve SVN acts directly according to the developed force, as a result of gas pressure on the plate the set force of the spring is resisted. With the adequate increase of pressure, the seat is lifted up to max. 1/4 seat diameter and with this the exiting conduit is opened."

TESTING & CALIBRATION

EN ISO/IEC 17025 certified laboratory

APPLIED STANDARDS, CODES & DIRECTIVES

EN ISO 4126-1 "Safety devices for protection against excessive pressure. Safety valves"

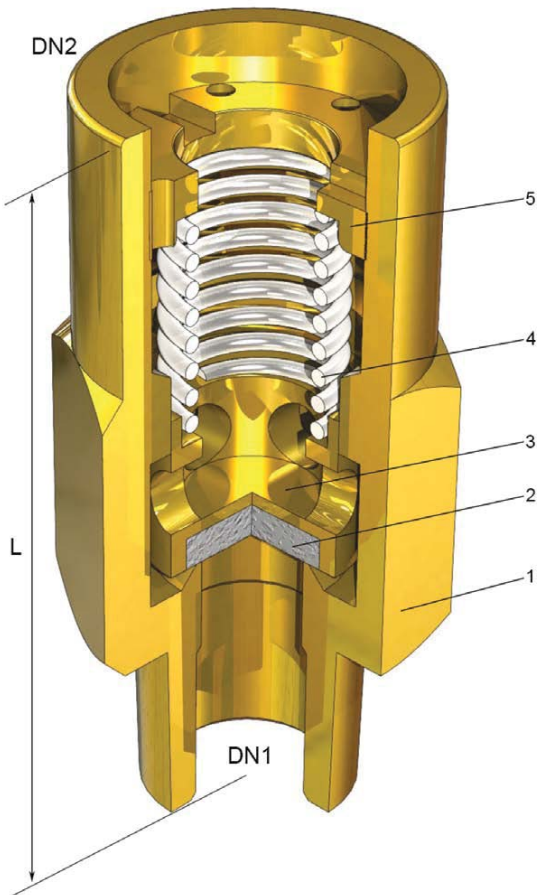
EN 12516-3 "Valves-Shell design strenght. Experimental method"

EN 13463-1 "Non-electrical equipment for use in potentially explosive atmospheres. Basic method and requirements"

EN 13463-5 "Non-electrical equipment for use in potentially explosive atmospheres. Protection by constructional safety 'c'"

94/9 EC (ATEX) "Equipment and protective systems intended for use in potentially explosive atmospheres"

97/23 EC (PED) "Pressure equipment directive"



DN	1/2" - 1 1/4"
PN	25
p	1 - 25 bar
t	-20°C / +90°C
acceptable media	propane, butane, LPG, natural gas
connections	ANSI B1 20.1, ISO 7-1

Pos.	Part name	Material	Standard
1	Housing	CW614N	EN12164
2	Seal	FKM	
3	Plate	CW614N	EN12164
4	Spring	1.4301	EN10270-3
5	Adjusting screw	CW614N	EN12164

CODE	DN1	DN2	L (mm)	⊘	WEGHT(kg)
030301	1/2"NPT	3/4"	67	30	0.35
030302	3/4"NPT	3/4"	100	36	0.75
030308	1"NPT	1 1/4"	110	50	1.6
030312	1 1/4"NPT	1 1/2"	160	60	3.2