

APPLICATION

This is a diaphragm solenoid valve used for securing, limiting, shutting off and releasing medium in high variety of application.

It's recommended that the solenoid and diaphragm is turned upwards.

DESIGN FEATURES

EMMV-P is operated with auxiliary power with diaphragm pre-help, which means that the solenoid drive opens against force of the closing spring only if the difference between valve inlet and outlet pressure is equal or greater than 0,5bar, and closes if power is interrupted. On the bothom lid it has possibility for installment of mechanical sensor for monitoring of closed position of the valve.

It comes in normally closed position, but on request can be altered.

ON REQUEST:

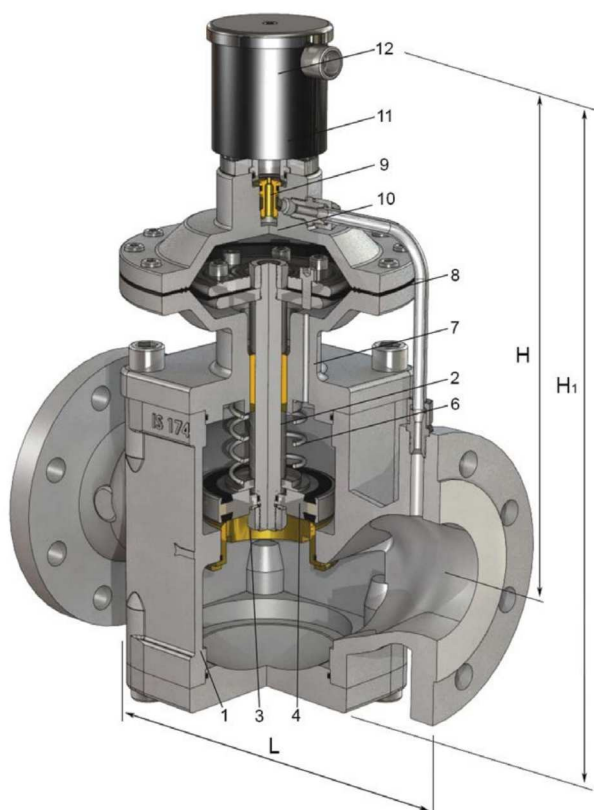
- possibility of AC or DC current 12V, 24V, 48V
- it comes in normally closed (NC) position, but on request can be altered to normally opened (NO)
- normal and ATEX approved design are available

APPLIED STANDARDS, CODES & DIRECTIVES

94/9 EC (ATEX) "Equipment and protective systems intended for use in potentially explosive atmospheres"

DN	L (mm)	H (mm)	H1 (mm)	WEIGHT(kg)
40 (1 1/2")	200	290	360	13
50 (2")	230	315	410	25
65 (2.5")	290	330	420	32
80 (3")	310	350	470	39
100 (4")	350	390	510	58
125 (5")	400	420	560	70
150 (6")	480	490	640	85

Pos.	Part name	Material	Standard
1	Housing	GJS-400-15	EN1563
2	Spindle	1.4301	EN10088-3
3	Seat	CW614N	EN12164
4	Plate	S355	EN10277-2
5	Spring	1.4301	EN10270-3
7	Diaphragm housing	GJS-400-15	EN1563
8	Diaphragm	neoprene	
9	Nozzle	CW614N	EN12164
10	Lid	GJS-400-15	EN1563
11	Solenoid coil	SPO	
12	Electronical switch	SPO	



DN	40 - 100
PN	16
ANSI	150lb
p	0,5 - 12bar
t	-20°C / +60°C
acceptable media	natural gas, propane, air, water, non-aggressive gasses and liquids
connections	EN1092, DIN2633, ANSI B 16.5,
voltage, frequency	230V (±10%), 50Hz
current, power	0,8A, 18VA
protection	IP54 (IP65 on request)
switch duration, rate	ED 100%, 15/min

ORDERING CODE

05 XX - XX

- 01 (DN40, 11/2")
- 02 (DN50, 2")
- 03 (DN65, 2.5")
- 04 (DN80, 3")
- 05 (DN100, 4")
- 06 (DN125, 5")
- 07 (DN150, 6")

- 08 (normally closed_NC)
- 09 (normally opened_NO)
- 10 (EX_normally closed_NC)
- 11 (EX_normally opened_NO)