



#### APPLICATION

This is a single stage automatic solenoid shut-off valve used for securing, limiting, shutting off and releasing gas supply to gas burners and gas appliances

It's recommended that the solenoid is turned upwards.

#### DESIGN FEATURES

Automatic solenoid shut-off valve EMV-P is operated with auxiliary power, means that the solenoid drive opens against force of the closing spring and closes within 1 second if power is interrupted. On the bottom lid it has possibility for installment of mechanical sensor for monitoring of closed position of the valve.

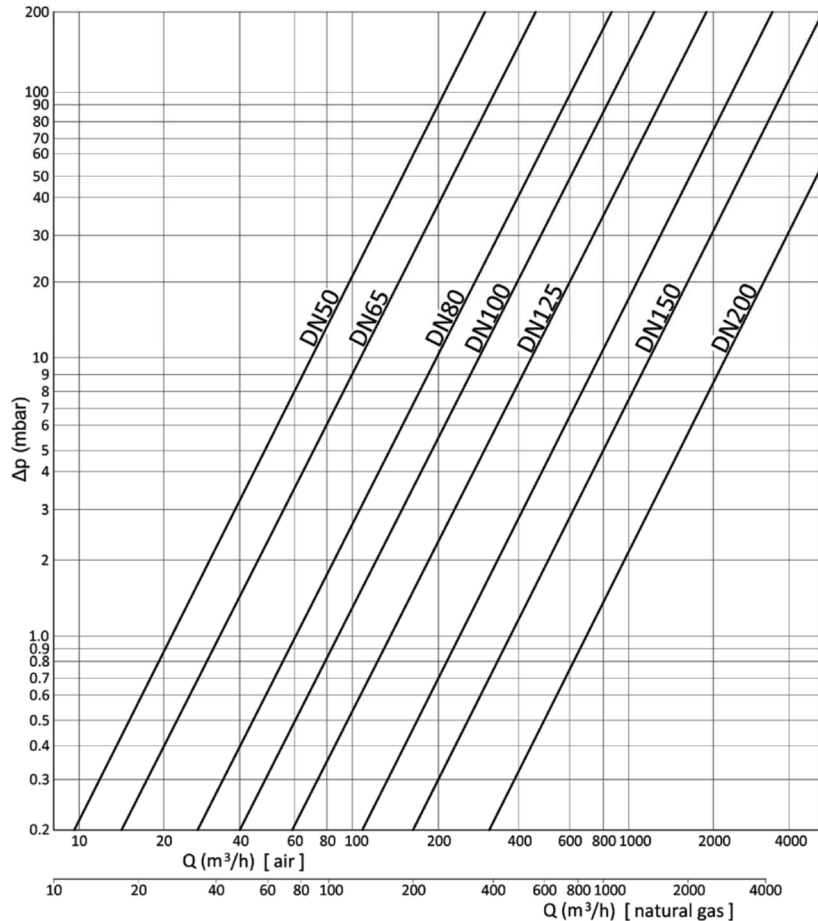
#### ON REQUEST:

- pilot operated for a higher operating pressure (up to 3bar)
- it comes in normally closed (NC) position, but on request can be altered to normally opened (NO)
- normal and ATEX approved design are available

#### APPLIED STANDARDS, CODES & DIRECTIVES

EN 161 "Automatic shut-off valves for gas burners and gas appliances"

94/9 EC (ATEX) "Equipment and protective systems intended for use in potentially explosive atmospheres"



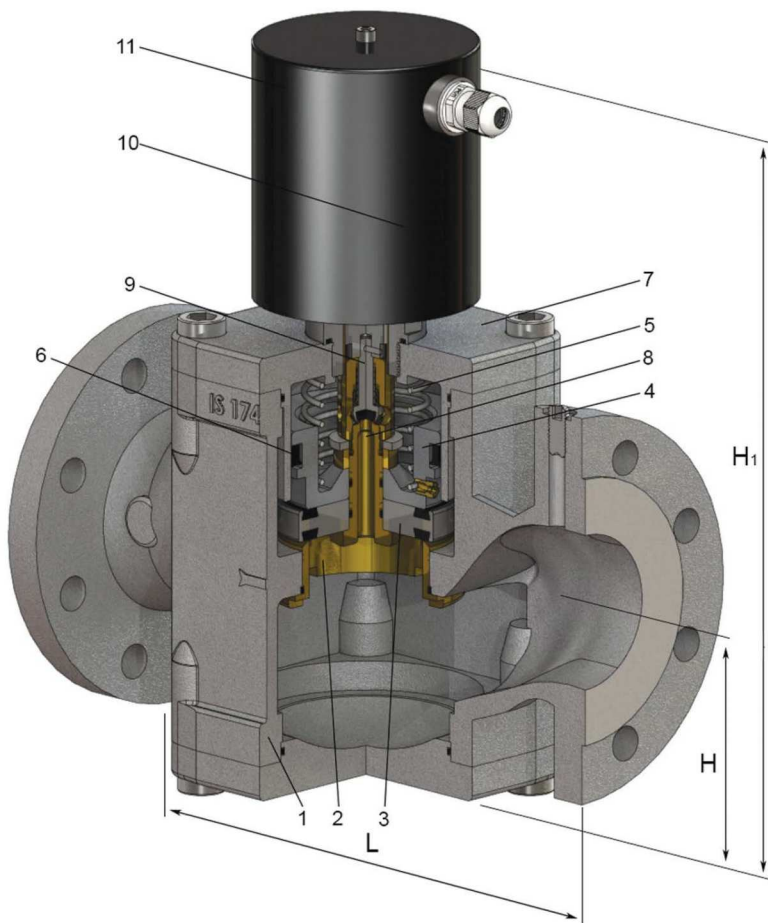
Flow and Pressure drop at 15°C and 1,013bar

# Solenoid valve type EMV-P



| CODE   | DN          | L (mm) | H (mm) | H1 (mm) | WEIGHT(kg) |
|--------|-------------|--------|--------|---------|------------|
| 050401 | 40 (1 1/2") | 200    | 235    | 305     | 13         |
| 050402 | 50 (2")     | 230    | 250    | 345     | 20         |
| 050403 | 65 (2.5")   | 290    | 260    | 350     | 23         |
| 050404 | 80 (3")     | 310    | 275    | 385     | 30         |
| 050405 | 100 (4")    | 350    | 290    | 430     | 35         |
| 050406 | 125 (5")    | 400    | 350    | 475     | 52         |
| 050407 | 150 (6")    | 480    | 400    | 540     | 77         |
| 050408 | 200 (8")    | 600    | 460    | 630     | 150        |

| DN         | coil type | current<br>A | power<br>W | int.resistance<br>Ω | electronical switch |      |
|------------|-----------|--------------|------------|---------------------|---------------------|------|
|            |           |              |            |                     | type                | fuse |
| 40, 50, 65 | B2-E      | 0.18         | 10         | 37                  | SVM-2EM             | 1,6T |
| 80, 100    | B3-E      | 0.36         | 17         | 22                  | SVM-2EM             | 1,6T |
| 125, 150   | C3-E      | 0.36         | 20         | 27                  | C3-E                | 1,6T |
| 200        | C3-E      | 0.36         | 20         | 20                  | C3-E                | 1,6T |



| Pos. | Part name           | Material   | Standard  |
|------|---------------------|------------|-----------|
| 1    | Housing             | GJS-400-15 | EN1563    |
| 2    | Seat                | CW614N     | EN12164   |
| 3    | Plate               | S355       | EN10277-2 |
| 4    | Piston              | AlSi10Mg   |           |
| 5    | Spring              | 1.4301     | EN10270-3 |
| 7    | Lock plate          | NBR        |           |
| 8    | Lid                 | GJS-400-15 | EN1563    |
| 9    | Pilot               | 1.4301     | EN10088-3 |
| 10   | Pilot plate         | CW614N     | EN12164   |
| 11   | Solenoid coil       |            | SPO       |
| 12   | Electronical switch |            | SPO       |

|                              |  |
|------------------------------|--|
| <b>DN</b>                    | 40 - 200   |
| <b>PN</b>                    | 16   |
| <b>ANSI</b>                  | 150lb  |
| <b>pmax</b>                  | 500 mbar   |
| <b>t</b>                     | -20°C / +60°C                                    |
| <b>acceptable media</b>      | natural gas, propane, air, non-aggressive gasses |
| <b>connections</b>           | EN1092, DIN2633, ANSI B 16.5,                    |
| <b>voltage, frequency</b>    | 230V (±10%), 50Hz                                |
| <b>protection, gland</b>     | IP54, Pg11                                       |
| <b>switch duration, rate</b> | ED 100%, 15/min                                  |
| <b>closing time</b>          | < 1s   |