

#### APPLICATION

This is a diaphragm solenoid valve used for securing, limiting, shutting off and releasing medium in high variety of application.

It's recommended that the solenoid and diaphragm is turned upwards.

#### DESIGN FEATURES

EMMV-P is operated with auxiliary power with diaphragm pre-help, which means that the solenoid drive opens against force of the closing spring only if the difference between valve inlet and outlet pressure is equal or greater than 0,5bar, and closes if power is interrupted. On the bottom lid it has possibility for installment of mechanical sensor for monitoring of closed position of the valve.

It comes in normally closed position, but on request can be altered.

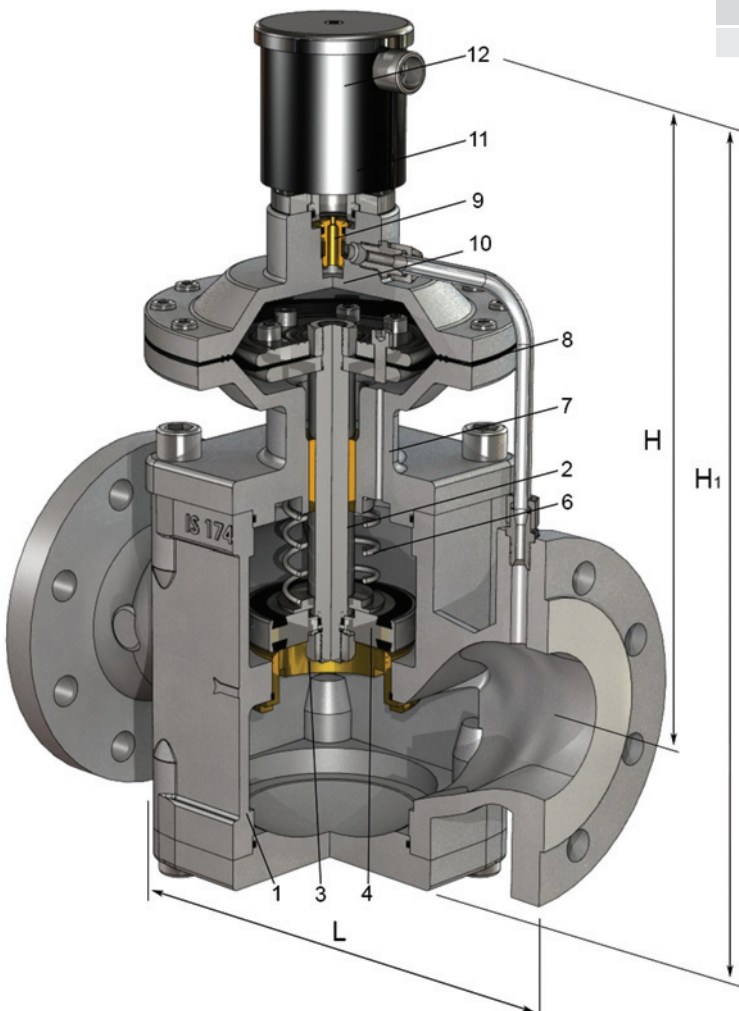
#### ON REQUEST:

- possibility of AC or DC current 12V, 24V, 48V
- it comes in normally closed (NC) position, but on request can be altered to normally opened (NO)
- normal and ATEX approved design are available

#### APPLIED STANDARDS, CODES & DIRECTIVES

94/9 EC (ATEX) "Equipment and protective systems intended for use in potentially explosive atmospheres"

CODE	DN	L (mm)	H (mm)	H1 (mm)	WEIGHT(kg)
050801	40 (6/4")	200	290	360	13
050802	50 (2")	230	315	410	25
050803	65 (2.5")	290	330	420	32
050804	80 (3")	310	350	470	39
050805	100 (4")	350	390	510	58



Pos.	Part name	Material	Standard
1	Housing	GJS-400-15	EN1563
2	Spindle	1.4301	EN10088-3
3	Seat	CW614N	EN12164
4	Plate	S355	EN10277-2
5	Spring	1.4301	EN10270-3
7	Diaphragm housing	GJS-400-15	EN1563
8	Diaphragm	neoprene	
9	Nozzle	CW614N	EN12164
10	Lid	GJS-400-15	EN1563
11	Solenoid coil	SPO	
12	Electronical switch	SPO	

<b>DN</b>	40 - 100
<b>PN</b>	16
<b>ANSI</b>	150lb
<b>p</b>	0,5 - 12bar
<b>t</b>	-20°C / +60°C
<b>acceptable media</b>	natural gas, propane, air, water, non-aggressive gasses and liquids
<b>connections</b>	EN1092, DIN2633, ANSI B 16.5,
<b>voltage, frequency</b>	230V (±10%), 50Hz
<b>current, power</b>	0,8A, 18VA
<b>protection</b>	IP54 (IP65 on request)
<b>switch duration,rate</b>	ED 100%, 15/min