

#### APPLICATION

This is a single stage automatic solenoid shut-off valve used for securing, limiting, shutting off and releasing gas supply to gas burners and gas appliances

It's recommended that the solenoid is turned upwards.

#### DESIGN FEATURES

Automatic solenoid shut-off valve EMV-P is operated with auxiliary power, means that the solenoid drive opens against force of the closing spring and closes within 1 second if power is interrupted. On the bottom lid it has possibility for installment of mechanical sensor for monitoring of closed position of the valve.

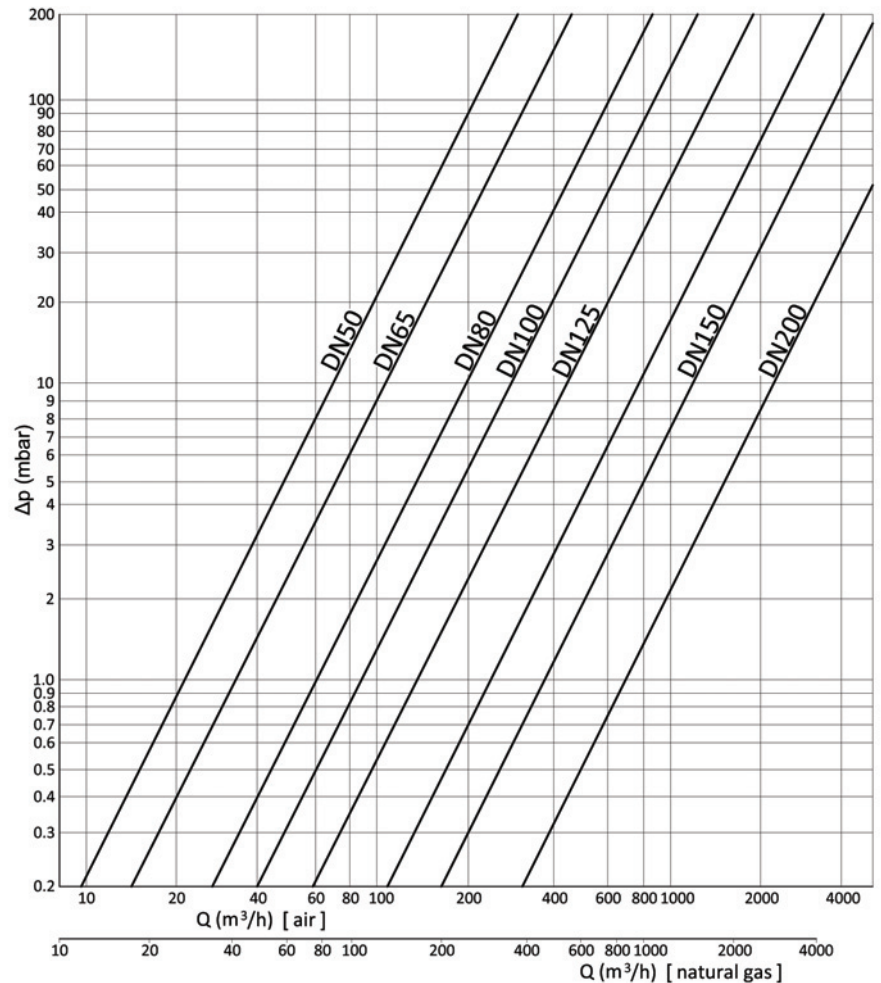
#### ON REQUEST:

- pilot operated for a higher operating pressure (up to 3bar)
- it comes in normally closed (NC) position, but on request can be altered to normally opened (NO)
- normal and ATEX approved design are available

#### APPLIED STANDARDS, CODES & DIRECTIVES

EN 161 "Automatic shut-off valves for gas burners and gas appliances"

94/9 EC (ATEX) "Equipment and protective systems intended for use in potentially explosive atmospheres"



Flow and Pressure drop at 15°C and 1,013bar

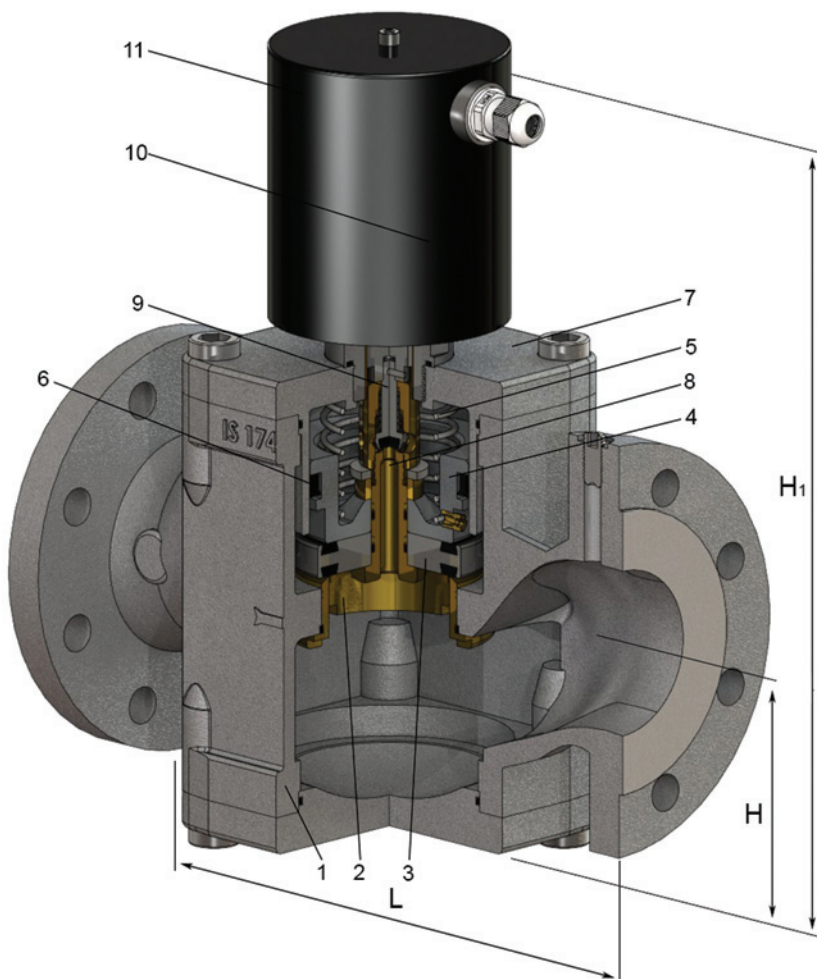
# Solenoid valve type EMV-P



CODE	DN	L (mm)	H (mm)	H1 (mm)	WEIGHT(kg)
050401	40 (6/4")	200	235	305	13
050402	50 (2")	230	250	345	20
050403	65 (2.5")	290	260	350	23
050404	80 (3")	310	275	385	30
050405	100 (4")	350	290	430	35
050406	125 (5")	400	350	475	52
050407	150 (6")	480	400	540	77
050408	200 (8")	600	460	630	150

DN	coil type	current A	power W	int.resistance $\Omega$	electronical switch	
					type	fuse
40, 50, 65	B2-E	0.18	10	37	SVM-2EM	1,6T
80, 100	B3-E	0.36	17	22	SVM-2EM	1,6T
125, 150	C3-E	0.36	20	27	C3-E	1,6T
200	C3-E	0.36	20	20	C3-E	1,6T

Pos.	Part name	Material	Standard
1	Housing	GJS-400-15	EN1563
2	Seat	CW614N	EN12164
3	Plate	S355	EN10277-2
4	Piston	AlSi10Mg	
5	Spring	1.4301	EN10270-3
7	Lock plate	NBR	
8	Lid	GJS-400-15	EN1563
9	Pilot	1.4301	EN10088-3
10	Pilot plate	CW614N	EN12164
11	Solenoid coil		SPO
12	Electronical switch		SPO



<b>DN</b>	40 - 200
<b>PN</b>	16
<b>ANSI</b>	150lb
<b>pmax</b>	500 mbar
<b>t</b>	-20°C / +60°C
<b>acceptable media</b>	natural gas, propane, air, non-aggressive gasses
<b>connections</b>	EN1092, DIN2633, ANSI B 16.5,
<b>voltage, frequency</b>	230V ( $\pm 10\%$ ), 50Hz
<b>protection, gland</b>	IP54, Pg11
<b>switch duration, rate</b>	ED 100%, 15/min
<b>closing time</b>	< 1s