

#### APPLICATION

Safety relief valve SVM-P is used downstream of pressure regulator to relief limited volumes of gas, and to avoid triggering safety shut-off valves.

It's ideal for low pressure and high flow settings due to high sensitivity provided by large diaphragm and flow area.

#### DESIGN FEATURES

Safety relief valve SVM-P automatically opens and relief limited volume of gas, and automatically closes when pressure normalizes in the system it secures.

Safety valve acts directly according to the developed force, as a result of gas pressure on the diaphragm the set force of the spring is resisted. With the adequate increase of pressure, the diaphragm is lowered and with this the plate and therefore the exiting conduit is opened.

#### TESTING & CALIBRATION

EN ISO/IEC 17025 certified laboratory

#### APPLIED STANDARDS, CODES & DIRECTIVES

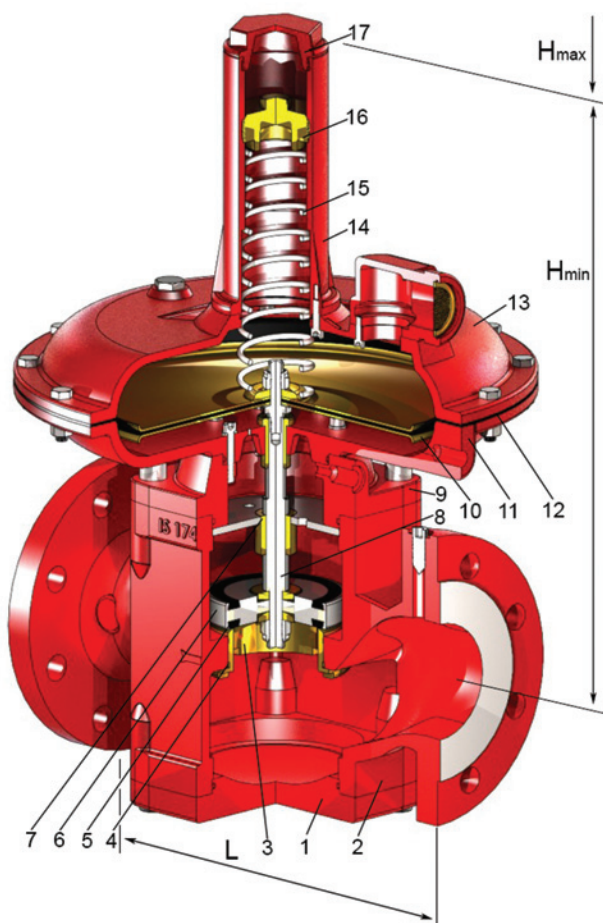
EN ISO 4126-1 "Safety devices for protection against excessive pressure. Safety valves"

EN 12516-3 "Valves-Shell design strenght. Experimental method"

EN 13463-1 "Non-electrical equipment for use in potentially explosive atmospheres. Basic method and requirements"

EN 13463-1 "Non-electrical equipment for use in potentially explosive atmospheres. Protection by constructional safety 'c'"

94/9 EC (ATEX) "Equipment and protective systems intended for use in potentially explosive atmospheres"



Pos.	Part name	Material	Standard
1	Lid	ENAW6005	EN573
2	Housing	GJS-400-15	EN1563
3	Seat	CW614N	EN12164
4	"O" ring	FKM	
5	"O" ring	FKM	
6	Plate	S355	EN10277-2
7	Plate guide	S355	EN10277-2
8	Spindle	1.4301	EN10088-3
9	Binding neck	ENAW6005	EN573
10	Reinforced diaphragm panel	ST02Z275	DIN59232
11	Lower diaphragm housing	ENAW6005	EN573
12	Diaphragm	NBR	
13	Upper diaphragm housing	ENAW6005	EN573
14	Spring housing	ENAW6005	EN573
15	Spring	SH	EN10270-1
16	Adjusting screw	CW614N	EN12164
17	Bonnet	ENAW6005	EN573

<b>DN</b>	32 - 100
<b>PN</b>	16
<b>ANSI</b>	150lb
<b>p</b>	8 - 700mbar
<b>t</b>	-20°C / +60°C
<b>acceptable gases</b>	natural gas, LPG, air, nitrogen, non-aggressive gases
<b>connections</b>	EN1092, DIN2633, ANSI B 16.5

CODE	DN	L (mm)	Hmax (mm)	Hmin (mm)	set pressure (mbar)			WEIGHT(kg)
					8 - 30	30 - 140	140 - 700	
D (mm)								
030101	32 (5/4")	180	590	380	200	250	350	12
030102	40 (6/4")	200	590	380	200	250	350	16
030103	50 (2")	230	610	400	250	350	450	22
030104	65 (2.5")	290	620	410	250	350	450	24
030105	80 (3")	310	630	420	250	350	450	26
030106	100 (4")	350	650	440	250	350	450	35