

APPLICATION

Safety relief valve UTS-101 is used for relieving pressure of system in which is being installed. It's simplicity and reliability makes it perfect safety valve for almost every system or fluid.

Accuracy and valve performance stays permanent even on heavy duty demands. Due to simple design makes it easy to perform service and calibration.

DESIGN FEATURES

"Safety relief valve UTS-101 is angled type of valve, with thread end connection for exhaust pipeline. It automatically opens and relief limited volume of gas, and automatically closes when pressure normalizes in the system it secures."

"Safety valve acts directly according to the developed force, as a result of gas pressure on the plate the set force of the spring is resisted. With the adequate increase of pressure, the seat is lifted up to max. 1/4 seat diameter and with this the exiting conduit is opened."

ON REQUEST:

- special "PP" design for back pressure applications
- connections specified by customer
- every part can be produce to meet customer specification requirements
- special modification for aggressive media

TESTING & CALIBRATION

EN ISO/IEC 17025 certified laboratory

APPLIED STANDARDS, CODES & DIRECTIVES

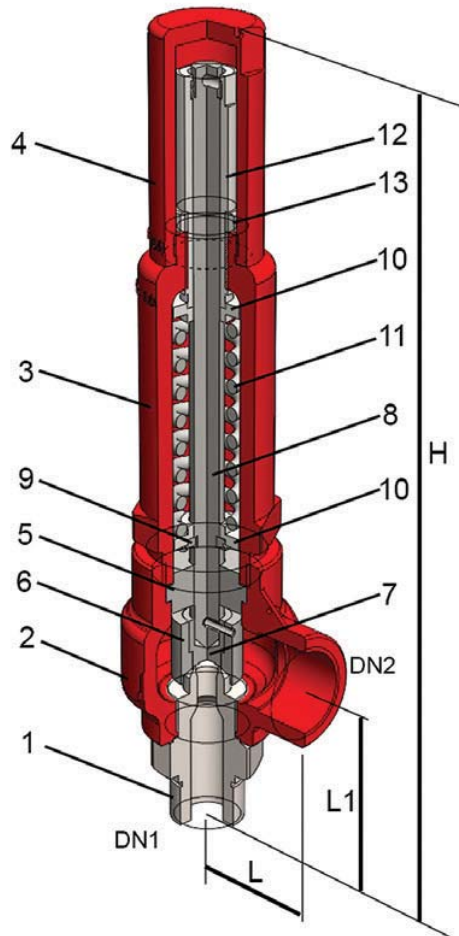
EN ISO 4126-1 "Safety devices for protection against excessive pressure. Safety valves"

EN 13463-1 "Non-electrical equipment for use in potentially explosive atmospheres. Basic method and requirements"

EN 13463-5 "Non-electrical equipment for use in potentially explosive atmospheres. Protection by constructional safety 'c'"

94/9 EC (ATEX) "Equipment and protective systems intended for use in potentially explosive atmospheres"

ASME VIII - "Boiler and pressure vessel code"



Pos.	Part	Material	
		WCB	CF8M
1	LOWER BODY	1.4404	1.4404
2	UPPER BODY	1.0619	1.4408
3	BONNET	1.0619	1.4408
4	CAP	1.0619	1.4408
5	GUIDE	1.0569	1.4404
6	DISC WING	1.4122	1.4404
7	DISC	1.4122	1.4404
8	SPINDLE	1.4021	1.4404
9	RING	1.0569	1.4404
10	SPRING HOLDER	1.0569	1.4404
11	SPRING	1.4310	1.4310
12	ADJUSTING SCREW	1.0569	1.4404
13	NUT	1.0569	1.4404

DN 1/2" - 6/4"

PN 250

p 1 - 25 bar

t -80°C / +380°C

acceptable media oil, petrol, natural gas, water, steam, LPG

connections ISO 7-1, ANSI B1 20.1

CODE	DN1	DN2	L (mm)	L1 (mm)	H (mm)	⌀	WEIGHT(kg)
130201	1/2"	1/2", 3/4"	48	62	275	46	2.7
130202	3/4"	3/4", 1"	48	62	275	46	2.7
130203	1"	1", 5/4"	63	69	296	64	3.9
130204	5/4"	5/4", 6/4"	63	69	296	64	3.9
130209	6/4"	6/4"	63	69	296	64	3.9



UTS-101, DISCHARGE CAPACITIES - METRIC UNITS

d(mm)	9.5			12.7			15.9			17.1		
	AIR	WATER	STEAM	AIR	WATER	STEAM	AIR	WATER	STEAM	AIR	WATER	STEAM
bar	m ³ /h	l/min	kg/h	m ³ /h	l/min	kg/h	m ³ /h	l/min	kg/h	m ³ /h	l/min	kg/h
1	100	35	76	128	55	106	179	78	135	212	98	179
2	127	50	99	206	78	168	231	110	175	356	138	296
3	174	61	136	284	95	228	312	133	236	497	170	407
4	219	71	169	356	110	285	394	156	296	623	195	508
5	263	79	202	428	122	342	473	174	356	750	218	608
6	277	86	235	500	134	397	553	192	416	877	239	708
7	351	93	268	573	145	452	632	206	476	1003	260	806
8	396	100	301	645	155	507	712	221	536	1130	277	905
9	440	106	333	718	165	563	792	234	596	1257	293	1004
10	485	112	366	789	174	619	871	247	656	1384	310	1103
12	573	122	432	934	190	729	1031	271	776	1637	339	1301
14	662	132	496	1078	204	838	1193	292	897	1890	367	1495
16	751	141	562	1224	219	949	1352	313	1017	2144	392	1693
18	839	150	627	1369	232	1059	1512	332	1137	2398	415	1890
20	928	158	694	1513	245	1171	1671	350	1257	2651	438	2088
25	1106	172	823	1802	269	1389	1993	383	1558	3411	498	2677
30	1372	192	1021	2236	301	1725	2471	429	1859	3918	535	3077
35	1549	206	1151	2525	320	1945	2792	456	2159	4679	586	3671
40	1815	223	1353	2959	346	2285	3248	495	2460	5185	619	4077
45	1994	233	1488	3248	364	2514	3592	519	2761	5946	665	
50	2260	249	1694	3683	387	2862	4060	553	3061	6452	692	
60	2703	273	2038	4406	425	3442	4872	606	3663	7720	758	
70	3147	295	2395	5128	458		5653	655		8987	819	
80	3592	315	2756	5852	491		6309	692		10255	876	
90	4035	334		6575	520		7340	747				
100	4479	353		7298	548		8058	783				
120	5367	387		8745	600							
140	6254	419		10191	648							
160	7142	446		11637	694							
180	8029	473										
200	8917	499										
220	9804	523										

UTS-101, DISCHARGE CAPACITIES - USCS UNITS

d(in)	0.374			0.499			0.625			0.673		
	0.110			0.196			0.307			0.356		
A(in ²)	AIR	WATER	STEAM	AIR	WATER	STEAM	AIR	WATER	STEAM	AIR	WATER	STEAM
psig	S.C.F.M.	US-G.P.M.	lb/h	S.C.F.M.	US-G.P.M.	lb/h	S.C.F.M.	US-G.P.M.	lb/h	S.C.F.M.	US-G.P.M.	lb/h
15	54	9	143	90	16	249	127	22	344	147	27	427
20	62	10	165	103	19	287	147	26	397	170	30	492
30	79	12	209	131	22	363	186	32	503	215	36	623
40	96	14	258	162	26	446	229	37	618	265	42	766
50	116	16	306	191	29	530	272	41	735	315	47	910
60	134	18	354	222	31	613	315	45	850	365	51	1054
70	151	19	402	252	34	697	358	48	966	414	55	1197
80	169	20	451	283	36	781	401	52	1082	464	59	1342
90	187	22	499	313	39	865	444	55	1198	514	63	1485
100	206	23	547	343	41	948	487	58	1315	563	66	1628
120	242	25	644	403	45	1115	573	63	1546	663	72	1916
140	278	27	742	464	48	1282	659	68	1778	762	78	2203
160	315	29	838	524	51	1450	745	73	2010	861	83	2491
180	351	31	935	585	55	1617	831	78	2242	961	89	2778
200	388	32	1031	646	57	1784	917	82	2474	1060	93	3066
220	424	34	1128	707	60	1951	1003	86	2706	1159	98	3353
240	460	35	1225	767	63	2119	1089	90	2938	1259	102	3640
260	497	37	1321	827	66	2287	1175	93	3169	1359	106	3928
280	533	38	1418	888	68	2454	1261	97	3401	1458	111	4215
300	570	39	1514	948	70	2621	1347	100	3633	1557	115	4503
320	606	41	1611	1009	73	2789	1433	104	3866	1657	118	4790
340	642	42	1708	1070	75	2956	1519	106	4097	1756	122	5078
360	679	43	1804	1131	77	3123	1605	110	4329	1855	125	5364
380	715	44	1901	1191	79	3290	1691	113	4561	1955	129	5652
400	752	46	1997	1251	81	3458	1777	116	4793	2054	132	5940
420	788	47	2095	1312	83	3625	1863	118	5025	2153	135	6227
440	824	48	2192	1372	85	3792	1949	122	5257	2253	138	6515
460	861	49	2288	1433	88	3959	2035	124	5489	2352	141	6802
480	896	50	2385	1493	89	4127	2121	127	5720	2451	144	7089
500	934	51	2482	1554	91	4294	2207	129	5952	2551	148	7376
600	1115	56	2965	1857	100	5130	2637	141	7112	3048	162	8814
700	1297	60	3449	2160	108	5967	3067	153	8272	3545	174	
800	1479	64	3932	2462	115	6804	3497	163	9431	4042	187	
900	1661	68	4415	2765	122	7640	3927	173	10591	4539	198	
1000	1842	72	4899	3068	129		4357	183		4788	203	
1200	2206	79	5865	3674	141		5217	201		5036	209	
1400	2569	85		4279	152		6077	216				
1600	2933	91		4884	163							
1800	3296	97		5489	173							
2000	3660	102		6096	182							
2300	4205	109		7004	194							
2600	4751	117										
2900	5296	123										
3200	5841	126										